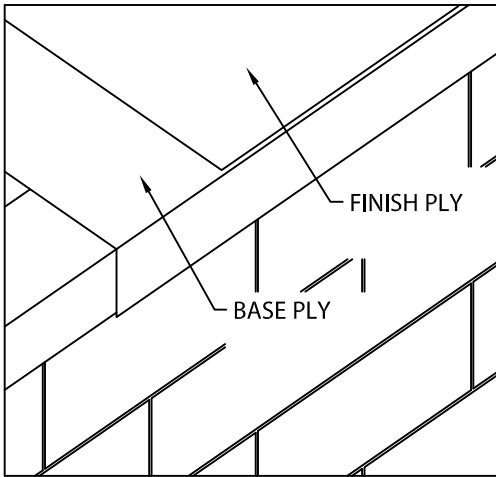




# PARAGUARD EXTRUDED EDGE AT FASCIA

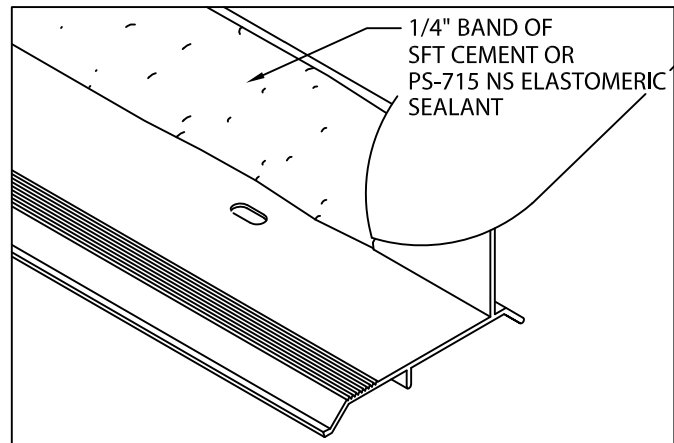
STANDARD VERSION

## INSTALLATION INSTRUCTIONS



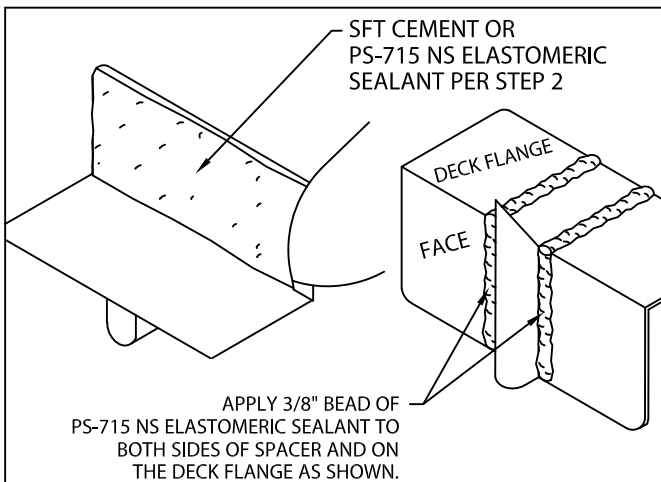
### 1. Roofing Membrane

Follow Siplast specifications and details for approved membrane configuration at the roof edge. Position modified membrane over the roof edge and down the outside face as shown.



### 2. Miter & Scupper Anchor Bar (Preparation)

Lay miters on deck with outside face down. Be sure aluminum anchor bar is clean and free of dirt or dust. Apply a 3" wide 1/4" thick band of SFT Cement or PS-715 NS Elastomeric Sealant to the back of the anchor bar as shown. Application of SFT Cement or PS-715 NS Elastomeric Sealant is required along the full length of each miter anchor bar.

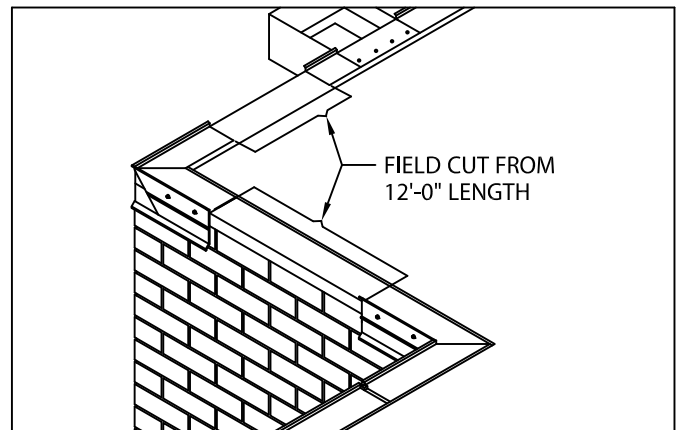


### 3. Anchor Bar Splice Plates

Apply SFT Cement or PS-715 NS Elastomeric Sealant to each splice plate as shown and as described in STEP 2.

**CAUTION!** Installers shall wear protective eyewear to prevent injury. Do not over-drive fasteners, as stripping can occur at high driver torque. Recommended driving tool: 600-800 rpm electric drill equipped with depth-sensing nosepiece to prevent over-driving and stripout.

Do not use impact type tool.



### 4. Miter Bar Installation

Install miters using 2" stainless steel fasteners and driver bit furnished by Siplast. Fasten anchor bar corners to nailer with one splice plate under each end of corner. The anchor bar splice plate must be snug to ends of anchor bar.



PHONE: 800-922-8800  
EMAIL: PGUARD@SIPLAST.COM

DATE: 12/11/18  
DRN BY: JJC  
CKD BY: SAK

SHT.# 1 OF 2

DWG# 44110-15632



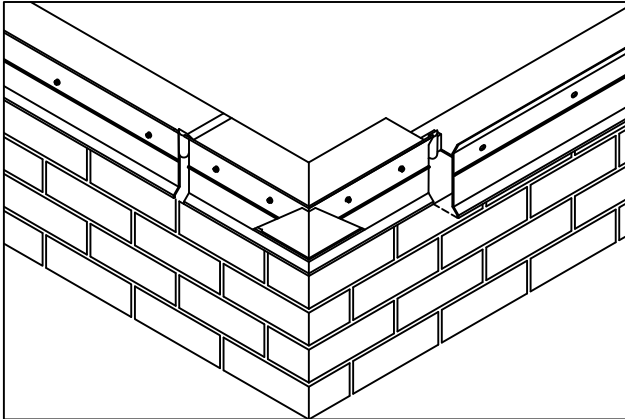


# PARAGUARD EXTRUDED EDGE AT FASCIA

STANDARD VERSION

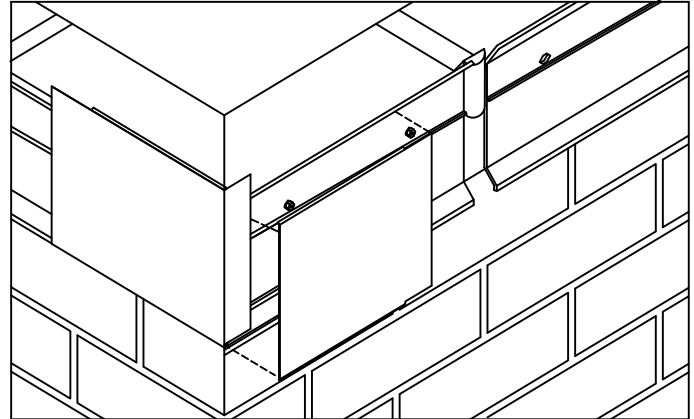
## INSTALLATION INSTRUCTIONS

**IMPORTANT!** Be sure to remove protective plastic film prior to installing each fascia section.



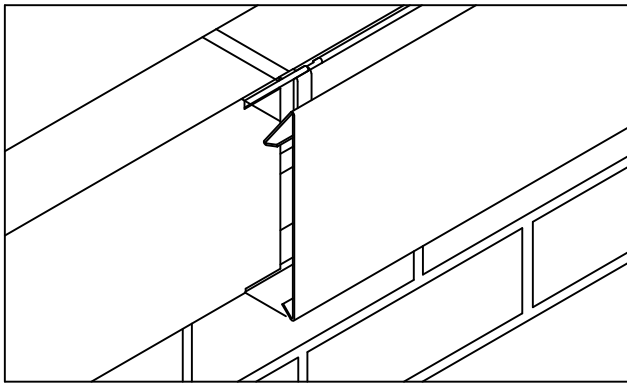
### 5. Anchor Bar Installation

Position 12' anchor bar sections with PS-715 NS Elastomeric Sealant as shown in step 3, overlapping anchor bar splice plate. Allow  $\frac{1}{2}$ " space between anchor bars. Install anchor bar splice plate at other end of bar section. Fasten anchor bar 12" O.C. through slotted holes using provided 2" fasteners. Field cut sections as necessary.



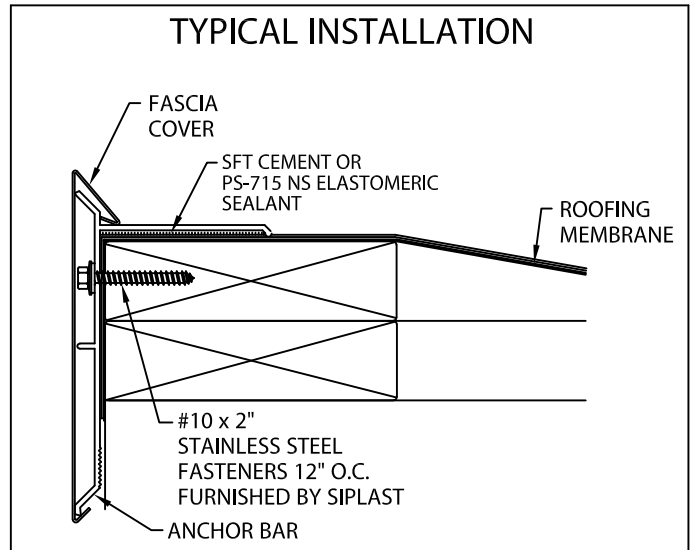
### 6. Fascia Miters Covers

Install 2-piece "snap-on" fascia miter covers first by snapping on fascia corner cover with 90° (degree) tab, followed by fascia miter without the tab. Simply position the cover atop bar and with palm of hand apply slight pressure downward until engaged to anchor bar.



### 7. Fascia Panels

Position 12'-0" fascia panels on top of anchor bar and overlap preceding panel approximately 1" at notches provided. Fascia panels shall be installed from right to left as seen from rooftop. With fascia panels in correct position atop anchor bar, simply snap each section onto anchor bar by applying downward pressure with palm of the hand until the fascia cover is fully engaged along the entire length. Continue to install fascia panels, field cutting where necessary using fine tooth hacksaw.



**IMPORTANT!** Be sure to remove protective film prior to installing each fascia section.



PHONE: 800-922-8800  
EMAIL: PGUARD@SIPLAST.COM

DATE: 12/11/18  
DRN BY: JJC  
CKD BY: SAK

SHT.# 2 OF 2  
DWG# 44110-15632