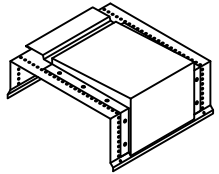
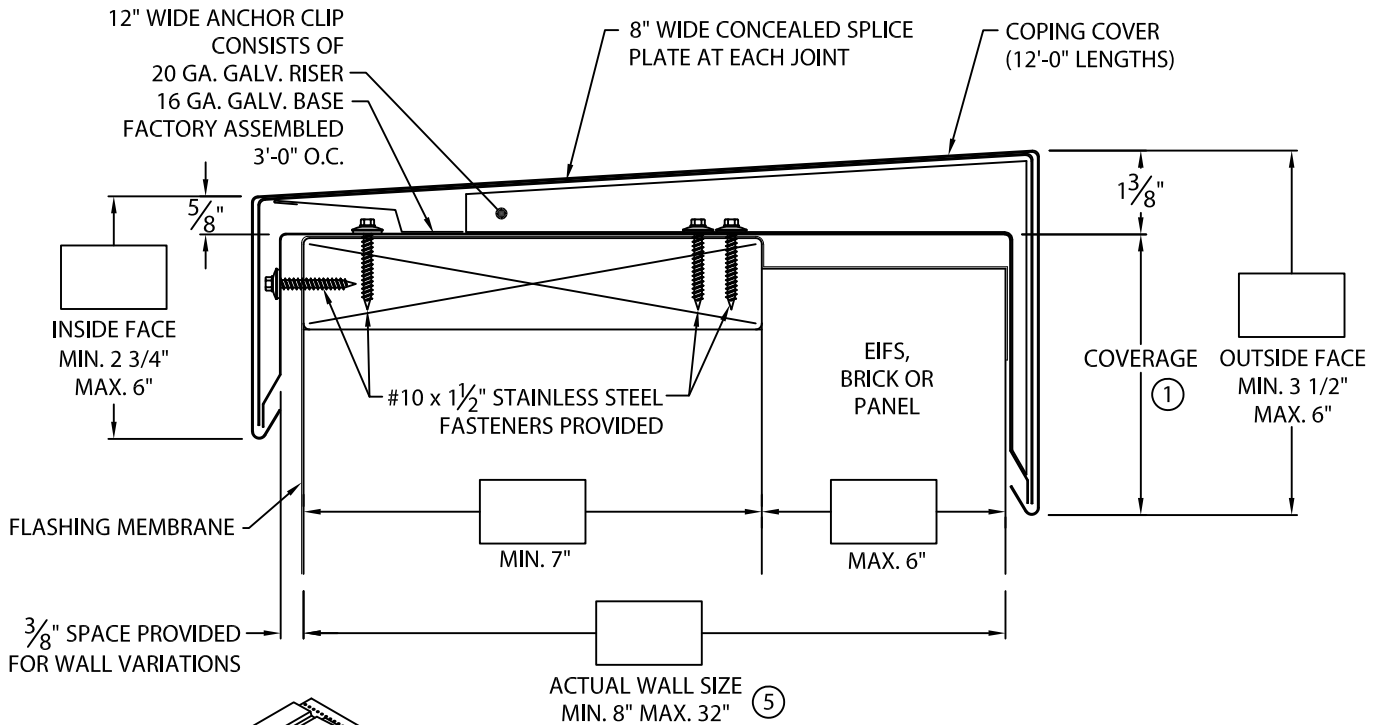




PARAGUARD CANTILEVER COPING

SINGLE SIDE SPACE 6" OR LESS, OUTSIDE FACE 3 1/2" TO 6" VERSION



ANCHOR CLIP DETAIL

NOTES:

- ① FACE = COVERAGE (SHOULD EXTEND A MIN. OF 1" BELOW FLASHING MEMBRANE) + 1 3/8".
- ② 24 GA. GALV. AND .040" ALUM. COPING COVERS AVAILABLE FOR WALL SIZES 8" TO 24" ONLY.
- ③ WELDED ACCESSORIES REQUIRE A MINIMUM MATERIAL THICKNESS OF .050".
- ④ FOR NON 90° MITERS PLEASE USE PRINT APPROVAL #44011-28217.
- ⑤ WALL SIZE INCLUDES MEMBRANE FLASHING THICKNESS.

AUTHORIZED SIGNATURE:

APPROVED BY: _____

DATE: _____



ANSI/SPRI ES-1 TESTED

MATERIAL:

- ___ 24 GA. GALVANIZED STEEL ②
 - ___ 22 GA. GALVANIZED STEEL
 - ___ .040" ALUMINUM ②
 - ___ .050" ALUMINUM
 - ___ .063" ALUMINUM
 - ___ OTHER _____
- COLOR: _____
- FINISH: _____

QUANTITIES:

_____ LINEAL FEET 12'-0" LENGTHS

ACCESSORIES:

- ___ OUTSIDE MITERS @ 90° ④
 - ___ INSIDE MITERS @ 90° ④
 - ___ RIGHT ENDCAPS
 - ___ LEFT ENDCAPS
 - ___ RIGHT ENDWALL (COPING VERSION)
 - ___ LEFT ENDWALL (COPING VERSION)
 - ___ RIGHT ENDWALL (SPLICE PLATE VERSION)
 - ___ LEFT ENDWALL (SPLICE PLATE VERSION)
- SPECIFY ACCESSORY TYPE:
- WELDED ③
- QUICKLOCK

PROJECT:

ROOFING CONTRACTOR:

SHIP TO ADDRESS:

CITY, STATE, ZIP:

PHONE: 800-922-8800
EMAIL: PGUARD@SIPLAST.COM

DATE: 12/07/18

SHT.# ___ OF ___

DRN BY: JJC

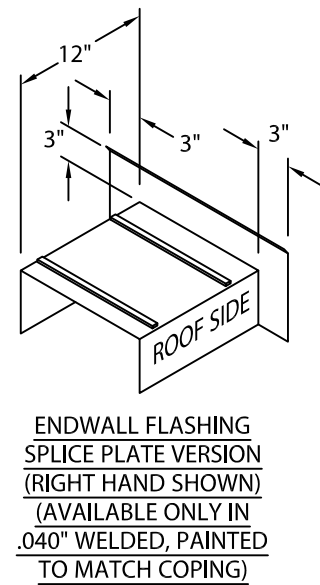
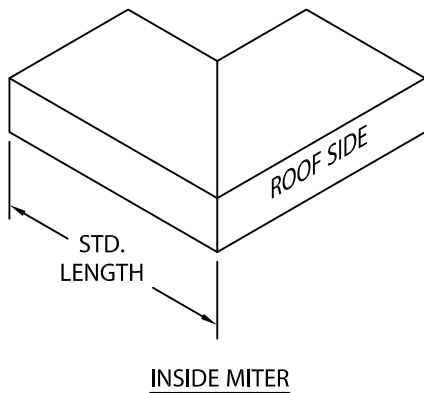
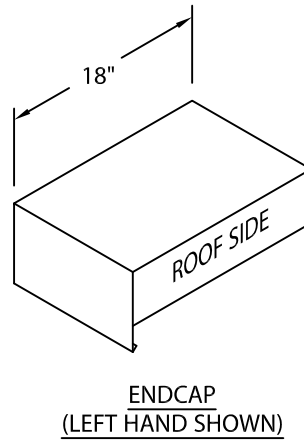
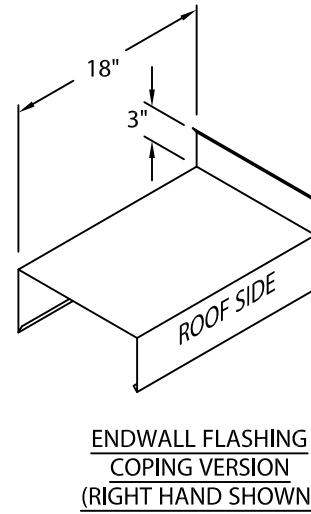
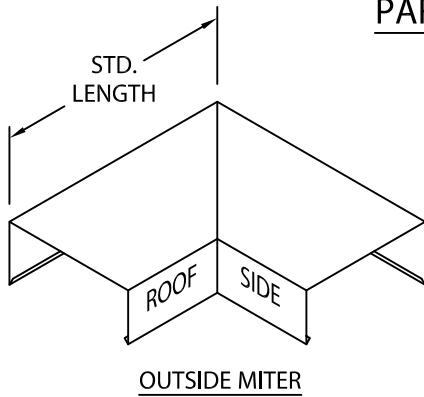
CKD BY: SAK

DWG# 44011-28223

B

siplast® PARAGUARD CANTILEVER COPING

PARAGUARD CANTILEVER COPING STANDARD ACCESSORIES



MITER STANDARD LEG LENGTH:
WALL SIZE + 9⁵/₈" = LENGTH

ADDITIONAL ACCESSORIES ARE AVAILABLE ON WEBSITE:

- TRANSITION MITERS
- STRAIGHT TRANSITION MITERS
- "T" MITERS
- "Z" MITERS
- STEP-UP MITERS
- PEAK / VALLEY MITERS
- PILASTER CAPS
- RADIUS COPING
- ARCHED COPING

(FOR ADDITIONAL ACCESSORY REQUIREMENTS, ATTACH SKETCHES OR CALL MANUFACTURER FOR ASSISTANCE).